

CDU-L



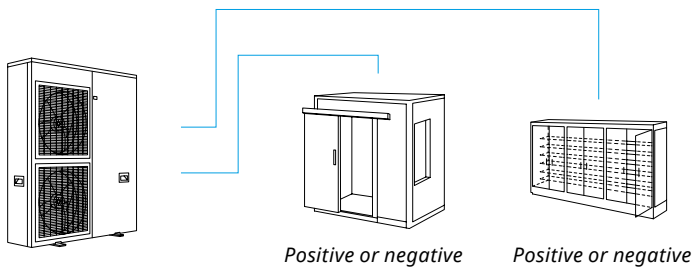
Evaporating temperature	-35 °C	-30 °C	-10 °C	-5 °C	+5 °C
Cooling capacity	3.55 kW	4.11 kW	8.73 kW	9.10 kW	9.73 kW
Electric power input	3.89 kW	3.91 kW	5.48 kW	5.51 kW	5.66 kW
Operation temperature	Evaporating (Min/Max)		-35 ~ +5 °C		
	Ambient (Min/Max)		-25 ~ +43 °C		
Dimensions*	Height x Width x Depth		1.300 x 1.100 x 281 mm		
Weight	135 kg				
Noise pressure level ⁽¹⁾	1 meter away		49 dB(A)		
Compressor	Type		Inverter Hermetic Scroll		
	Speed		35 ~ 80 Hz		
Heat Exchanger	Type		Aluminium microchannel		
Refrigerant	Type / GWP		R744 CO ₂ / 1		
Power supply	Phases /Voltage/ Frequency		Three phase / 400 / 50 ou 60 (-/V/Hz)		
Communication	Standard		Modbus		
PED	Category		1		
Maximum working pressure (MWP)	High pressure side		14 MPa		
	Low pressure side		9 Mpa		

⁽¹⁾ Conditions : T° Ambient +32°C, Compressor Speed 80hz * without pipe cover

✔ Main features

- ✔ First 100% CO₂ solution dedicated to small capacities and suited to small and medium stores
- ✔ Very silent
- ✔ Low refrigerant charge
- ✔ Natural, neutral and non flammable
- ✔ Compact, small footprint
- ✔ Modular, flexible and easy installation

Single Evaporator installation



- ✓ Two temperatures available
- ✓ Positive and negative on the same unit
- ✓ Not additional expansion valve

Evaporating temperature range

-35°C ~ +5°C

Negative (ambient temperature: +32°C)

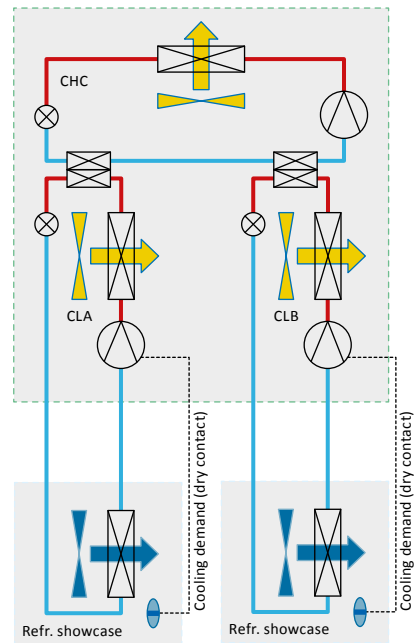
1775W per loop at -35°C

3550W cumulated

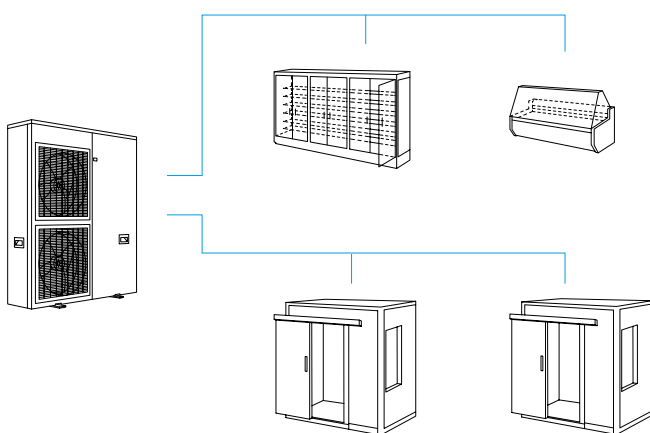
Positive

9100W cumulated at -5°C

4550W per loop at -5°C



Multi-evaporator installation



- ✓ Two temperatures available
- ✓ Positive and negative on the same unit

Evaporating temperature range

-35°C ~ +5°C

Negative (ambient temperature: +32°C)

1775W per loop at -35°C

3550W cumulated

Positive

9100W cumulated at -5°C

4550W per loop at -5°C

