

# CDU-M



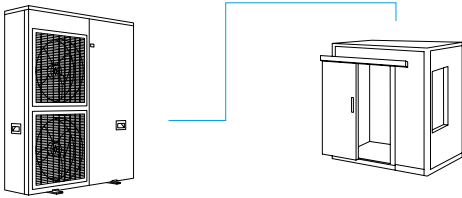
Evaporating temperature	-35 °C	-30 °C	-10 °C	-5 °C	+5 °C
Cooling capacity	2.0 kW	2.16 kW	4.33 kW	4.87 kW	5.6 kW
Electric power input	2.11 kW	2.13 kW	2.62 kW	2.76 kW	2.78 kW
Operation temperature	Evaporating (Min/Max)		-35 ~ +5 °C		
	Ambient (Min/Max)		-25 ~ +43 °C		
Dimensions*	Height x Width x Depth		1.300 x 1.100 x 281 mm		
Weight	107 kg				
Noise pressure level <sup>(1)</sup>	1 meter away		49 dB(A)		
Compressor	Type		Inverter Hermetic Scroll		
	Speed		35 ~ 80 Hz		
Heat Exchanger	Type		Aluminium microchannel		
Refrigerant	Type / GWP		R744 CO <sub>2</sub> / 1		
Power supply	Phases /Voltage/ Frequency		Single-phased / 230 / 50 ou 60 (-/V/Hz)		
Communication	Standard		Modbus		
PED	Category		1		
Maximum working pressure (MWP)	High pressure side		14 MPa		
	Low pressure side		9 Mpa		

<sup>(1)</sup> Conditions : T° Ambient +32°C, Compressor Speed 80hz \* without pipe cover

## ✔ Main features

- ✔ First 100% CO<sub>2</sub> solution dedicated to small capacities and suited to small and medium stores
- ✔ Very silent
- ✔ Low refrigerant charge
- ✔ Natural, neutral and non flammable
- ✔ Compact, small footprint
- ✔ Modular, flexible and easy installation

## ✔ Single Evaporator installation



- ✔ Positive or negative
- ✔ Expansion valve not needed before the evaporator

### Evaporating temperature range

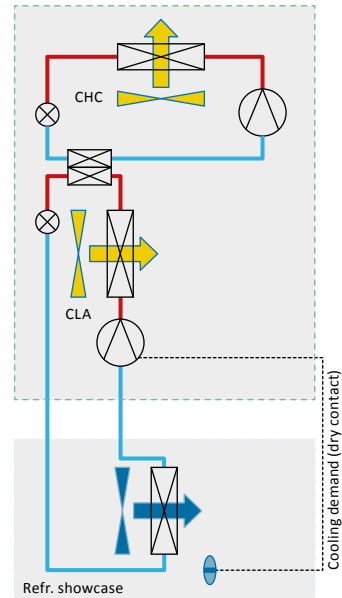
-35°C ~ +5°C

### Positive (ambient temperature: +32°C)

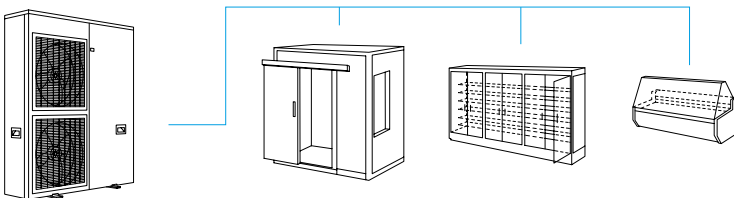
4870W à -5°C

### Negative

2000W à -35°C



## ✔ Multi-evaporator installation



- ✔ Positive or negative

### Evaporating temperature range

-35°C ~ +5°C

### Positive (ambient temperature: +32°C)

4870W à -5°C

### Negative

2000W à -35°C

